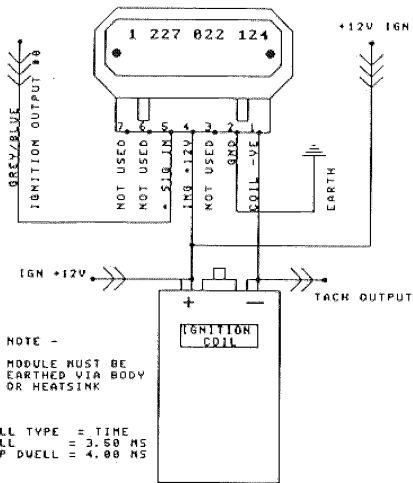


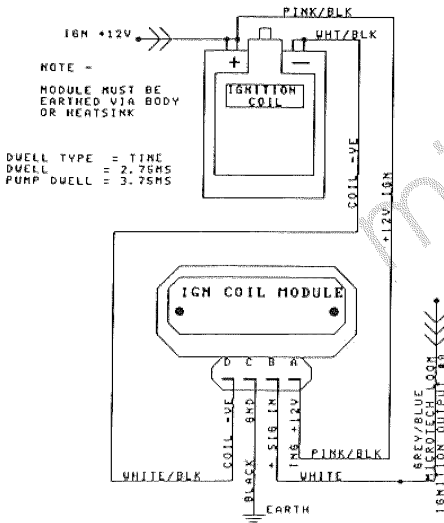
IGNITION HOOKUP- SINGLE COIL / DIST  
SETUP BOSCH MODULE



NOTE -  
MODULE MUST BE  
EARTHED VIA BODY  
OR HEATSINK

DUELL TYPE = TIME  
DUELL = 3.50 MS  
PUMP DUELL = 4.00 MS

IGNITION HOOKUP- SINGLE COIL / DIST  
SETUP CHEVY MODULE



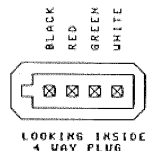
NOTE -  
MODULE MUST BE  
EARTHED VIA BODY  
OR HEATSINK

DUELL TYPE = TIME  
DUELL = 2.75MS  
PUMP DUELL = 3.75MS

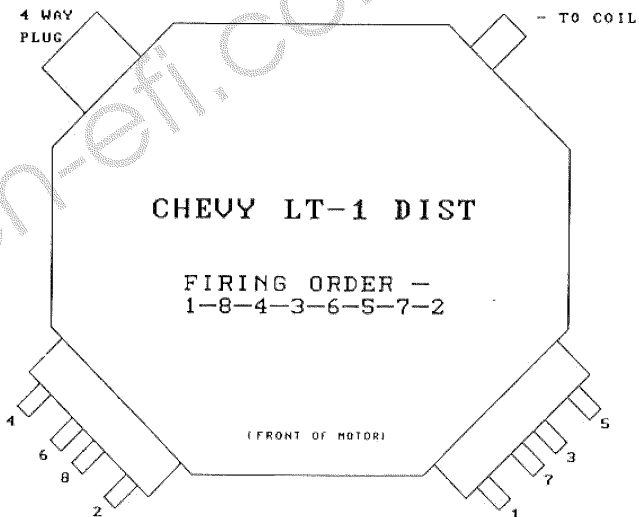
MICROTECH  
ENGINE MANAGEMENT SYSTEM

CHEVY LT-1 DIST

MICROTECH CABLE



CHEVY WIRING AT 4 WAY PLUG - MICROTECH CABLE  
PINK/BLACK - BLACK  
RED - RED  
VOILET/WHITE - GREEN  
RED/BLACK - WHITE



IGN SETUP -  
CONFIG = 08 CVL/R  
ID REF 00 = +20  
TDC REF 00 = +36

Title		
MT-8 LT-1 IGNITION		
Size	Quantity	Revision
A3	1	1.1
IGNITION DRAWING		
Date: 20-AUG-2001	Sheet 2 of 2	
File: A10 L11/1	Drawn By: D	