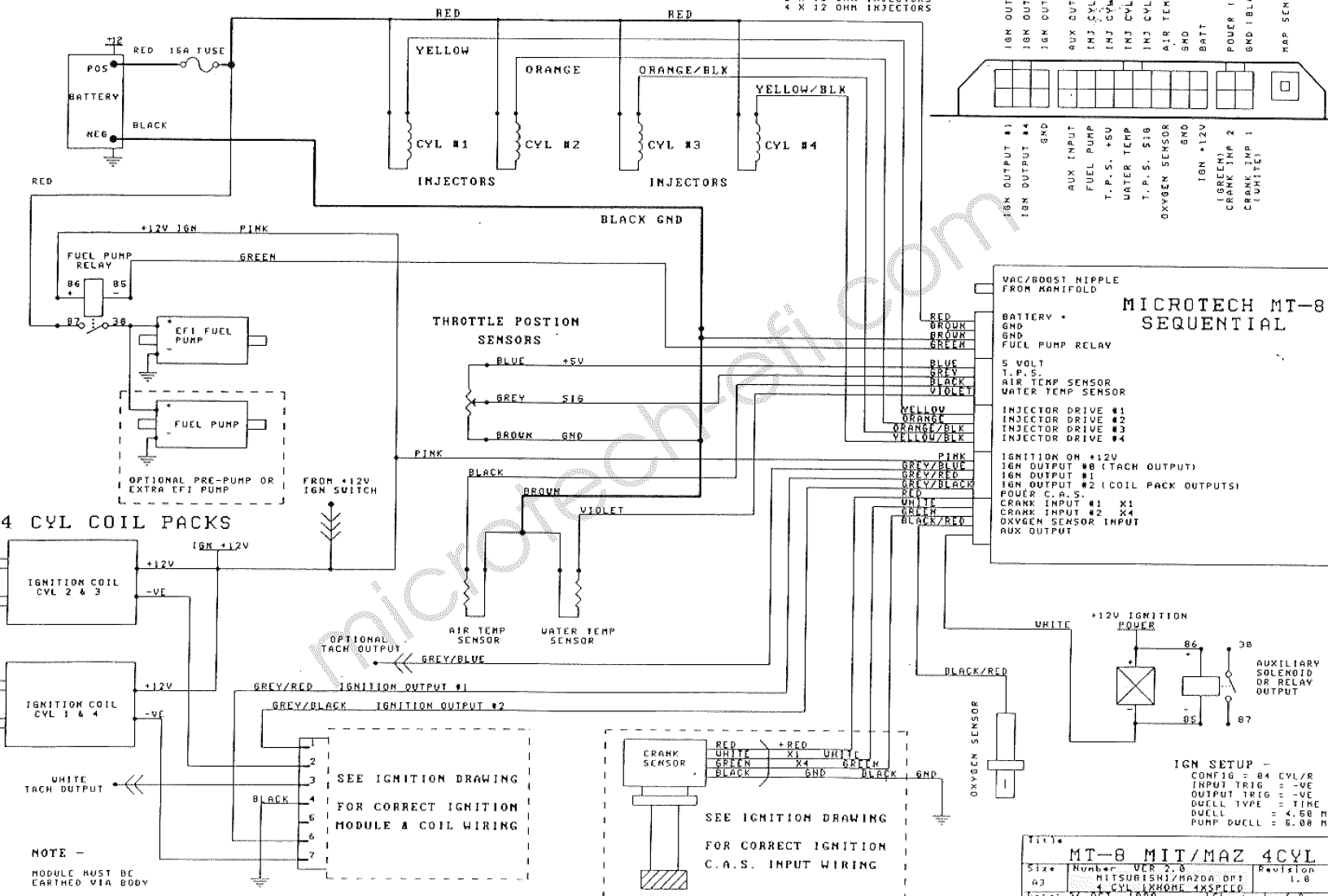


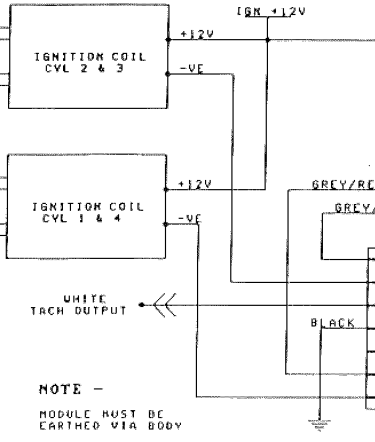
MICROTECH 4 CYL SEQUENTIAL ENGINE MANAGEMENT SYSTEM

N.B.
PER INJECTOR BANK
USE ONLY -
1 X 2 OHM INJECTORS
2 X 2 OHM INJECTORS
2 X 12 OHM INJECTORS
4 X 12 OHM INJECTORS

MT-8 USER 2 PIN-OUTS

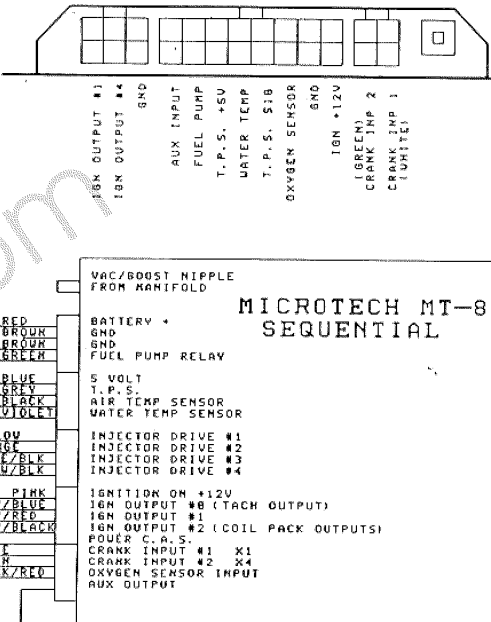
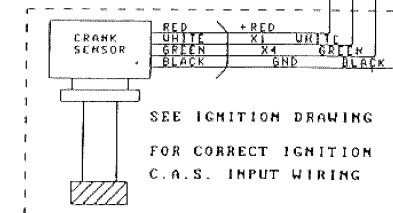


4 CYL COIL PACKS

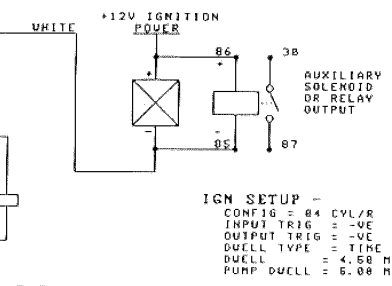


NOTE -
MODULE MUST BE
EARTHED VIA BODY

SEE IGNITION DRAWING
FOR CORRECT IGNITION
MODULE & COIL WIRING



MICROTECH MT-8 SEQUENTIAL



IGN SETUP -
CONF 16 = 84 CYL/R
INPUT TRIG = -VE
OUTPUT TRIG = -VE
DUELL TYPE = TIME
DUELL = 4.58 H
PUMP DUELL = 6.08 H

Titl:	MT-8 MIT/MAZ 4CYL		
Size:	Number:	UTR:	Revision:
A3	4	MITSUBISHI/MAZDA DFI	1.0
Date:	22-01-1978	4 CYL (X4OHM) (XSPLO)	Sheet 1 of 2
File:	MT8BLK47		Drawn by: RCH