

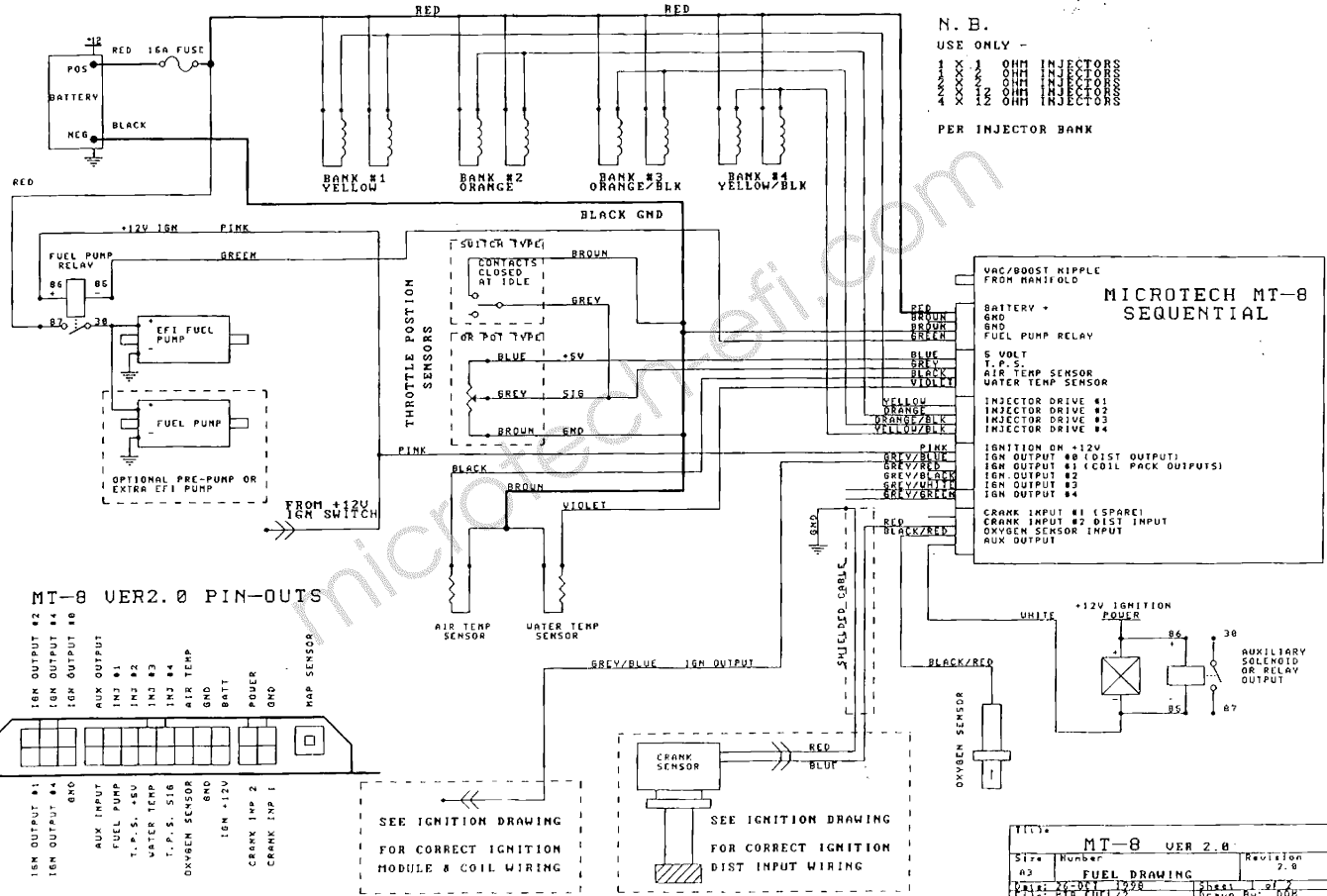
# MICROTECH SEQUENTIAL ENGINE MANAGEMENT SYSTEMS

N. B.

USE ONLY -

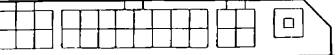
1	J	OHM	INJECTOR
2	XXXX	OHM	INJECTOR
3	XXXX	OHM	INJECTOR
4	XXXX	OHM	INJECTOR
5	XXXX	OHM	INJECTOR
6	XXXX	OHM	INJECTOR
7	XXXX	OHM	INJECTOR
8	XXXX	OHM	INJECTOR

PER INJECTOR BANK



## MT-8 VER2.0 PIN-OUTS

- IGN OUTPUT #2
- IGN OUTPUT #4
- IGN OUTPUT #8
- AUX OUTPUT
- INJ #1
- INJ #2
- INJ #3
- INJ #4
- AIR TEMP
- MAP SENSOR
- BATT
- POWER
- GND
- IGN +12V
- CRANK INP 2
- CRANK INP 1



- IGN OUTPUT #1
- IGN OUTPUT #4
- GND
- AUX INPUT
- FUEL PUMP
- T.P.S. +5V
- WATER TEMP
- T.P.S. S1A
- OXYGEN SENSOR
- GND
- IGN +12V
- CRANK INP 2
- CRANK INP 1

SEE IGNITION DRAWING  
FOR CORRECT IGNITION  
MODULE & COIL WIRING

SEE IGNITION DRAWING  
FOR CORRECT IGNITION  
DIST INPUT WIRING

MT-8 VER 2.0		
Size	Number	Revision
A3	FUEL DRAWING	2.0
DATE: 20-DEC-1998	SHEET: 1 OF 1	DESIGN: B.L. TOR
FILE: ETE-1001/2	PERSON: B.L. TOR	