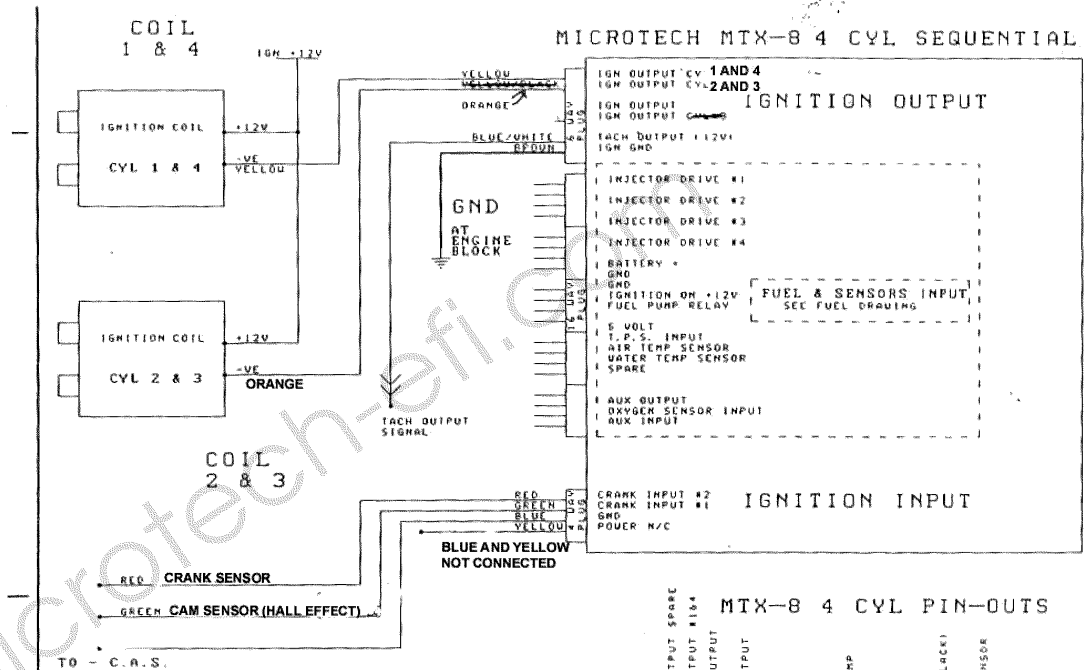


MICROTECH MTX-8 4CYL SEQUENTIAL ENGINE MANAGEMENT SYSTEM



IGN SETUP -
 *CONFIG = 04 CYL/R
 INPUT TRIG = +VE
 OUTPUT TRIG = -VE
 DWELL TYPE = TIME
 DWELL = 3.00 MS
 PUMP DWELL = 3.50 MS

Title		
MTX8 4 DIRECT FIRE		
Size	Number	Revision
A3	4-CYL DUAL COIL IGNITION DRAWING	1.8
Drawn	18-SEP-1990	Sheet 2 of 2
App'd	6180/473	Drawn By: DDM